

## AHC Counting Scales

### General Specifications

- |                  |  |
|------------------|--|
| • Display        | 20mm digit LCD display, with white LED backlight               |
| • Capacities     | 3kg~30kg   |
| • Pan size       | 230 x 300mm  |
| • Keyboard       | 20 keys(Membrane keyboard)                                     |
| • Housing        | ABS plastic  |
| • Max. Divisions | 3,000e; 2 x 3,000e; 30,000d; 60,000d                           |
| • ADC update     | ≤ 1/10 second  |
| • Operate Temp   | -10°C~+40°C  |
| • Power          | AC adapter (12V/500mA), internal rechargeable battery (6V/4Ah) |
| • Gross weight   | 5kg  |



- Responds quickly with accurate weights
- Applications: 1. Piece counting 2. Preset tare 3. Piece checking alarm 4. Accumulation 5. 10 unit weigh memory function
- Counting method: 1. Sample 2. Enter unit weight
- OIML approval from NMI (approval no.T7305)
- Battery provides up to 70 hours of continuous use(without backlight)
- Optional RS-232 interface, connect to computer or printer
- Optional initial-verification



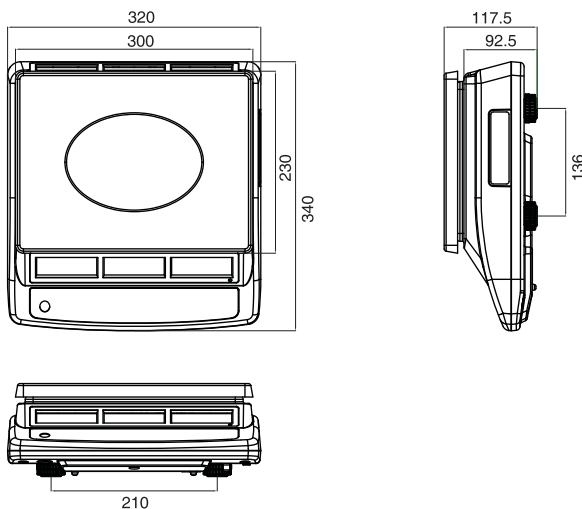
## AHC Counting Scales

Model Number	Capacity	Readability	Division	Approx. weight	Approval
AHC-3K	3kg	0.1g	30,000d	5kg	CE
AHC-6K	6kg	0.2g	30,000d	5kg	CE
AHC-15K	15kg	0.5g	30,000d	5kg	CE
AHC-30K	30kg	1g	30,000d	5kg	CE
AHC+-3K	3kg	0.05g	60,000d	5kg	CE
AHC+-6K	6kg	0.1g	60,000d	5kg	CE
AHC+-15K	15kg	0.2g	60,000d	5kg	CE
AHC+-30K	30kg	0.5g	60,000d	5kg	CE
AHC-3K-M	3kg	1g	3,000e	5kg	CE, OIML
AHC-6K-M	6kg	2g	3,000e	5kg	CE, OIML
AHC-15K-M	15kg	5g	3,000e	5kg	CE, OIML
AHC-30K-M	30kg	10g	3,000e	5kg	CE, OIML
AHC-6K-MR	6kg	1g/2g	2x3,000e	5kg	CE, OIML
AHC-15K-MR	15kg	2g/5g	2x3,000e	5kg	CE, OIML
AHC-30K-MR	30kg	5g/10g	2x3,000e	5kg	CE, OIML

### Options



### Dimensions(mm)



### Print formats

