

## ELW Weighing Platform Scales

### General Specifications

- Capacities 30kg~600kg
- Display 1.2" LED display
- Keyboard 5keys(Mechanical switch)
- Housing ABS plastic indicator
- Max. Divisions 3,000e; 6,000d
- Load cell excitation voltage 5V/150mA
- ADC Sigma delta
- ADC update  $\leq 1/10$  second
- Operate Temp  $-10^{\circ}\text{C} \sim +40^{\circ}\text{C}$
- Power AC adapter (12V/500mA), rechargeable battery (6V/4Ah)
- Gross weight 16.4kg(SELW), 18.3kg(MELW), 65.4kg(LELW)



- Application: 1. Tare 2. Accumulation 3. Weighing units conversion
- Battery provide up to 40 hours of continuous use
- Optional RS-232 interface can connect to computer or printer

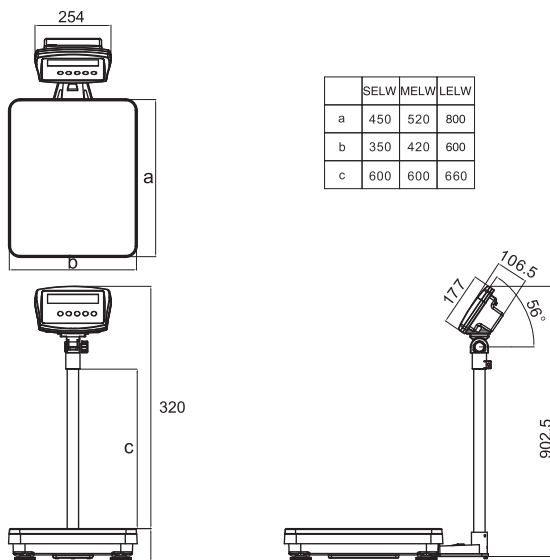
## ELW Weighing Platform Scales

Model Name	Capacity	Readability	Division	Approx. weight	Approval
ELW-3040-30K	30kg	5g	6,000d	16.4kg	CE
ELW-3040 -60K	60kg	10g	6,000d	16.4kg	CE
ELW-4050 -60K	60kg	10g	6,000d	16.4kg	CE
ELW-4050 -150K	150kg	20g	6,000d	18.3kg	CE
ELW-5060 -150K	150kg	20g	6,000d	18.3kg	CE
ELW-5060 -300K	300kg	50g	6,000d	18.3kg	CE
ELW-6080 -300K	300kg	50g	6,000d	65.4kg	CE
ELW-6080 -600K	600kg	100g	6,000d	65.4kg	CE
ELW-3040 -30K-M	30kg	10g	3,000e	16.4kg	CE, OIML
ELW-3040 -60K-M	60kg	20g	3,000e	16.4kg	CE, OIML
ELW-4050 -60K-M	60kg	20g	3,000e	16.4kg	CE, OIML
ELW-4050 -150K-M	150kg	50g	3,000e	18.3kg	CE, OIML
ELW-5060 -150K-M	150kg	50g	3,000e	18.3kg	CE, OIML
ELW-5060 -300K-M	300kg	100g	3,000e	18.3kg	CE, OIML
ELW-6080 -300K-M	300kg	100g	3,000e	65.4kg	CE, OIML
ELW-6080 -600K-M	600kg	200g	3,000e	65.4kg	CE, OIML

### Options



### Dimensions(mm)



	SELW	MELW	LELW
a	450	520	800
b	350	420	600
c	600	600	660