

FOX Series Weighing Scales

General Specifications

- Display 22mm digit LCD display, with white LED backlight
- Capacities 6kg~45kg (FOX-I); 60kg~250kg (FOX-II)
- Platform size 280 x 325mm (FOX-I); 370 x 370mm (FOX-II)
- Keyboard 6 keys (Membrane keyboard)
- Housing ABS plastic
- Max. Divisions 2 x 3,000e
- ADC Sigma delta
- ADC update $\leq 1/10$ second
- Operating Temp. $-10^{\circ}\text{C} \sim +40^{\circ}\text{C}$
- Power AC adapter (12V/500mA), Ni-MH battery (1.2V/2000mAh x 6)
- Gross weight 5kg (FOX-I), 9.2kg (FOX-II)



FOX-I



FOX-II

- Stainless steel platform (FOX-I)
- An economical general purpose instrument
- Applications: 1. Net/gross shift 2. Weighing unit conversion 3. Check weighing
- RS-232 output is standard
- Battery provides up to 40 hours of continuous use (without backlight)

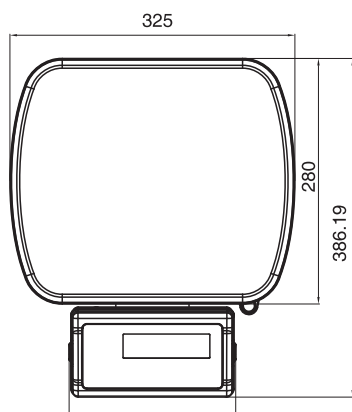
FOX Weighing Scales

Model Number	Capacity	Readability	Division	Approx. weight	Approval
FOX-I-6K-MR	6kg	1g/2g	2 x 3,000e	5kg	CE, OIML
FOX-I-15K-MR	15kg	2g/5g	2 x 3,000e	5kg	CE, OIML
FOX-I-30K-MR	30kg	5g/10g	2 x 3,000e	5kg	CE, OIML
FOX-I-45K-MR	45kg	10g/20g	2 x 3,000e	5kg	CE, OIML
FOX-II-60K-MR	60kg	10g/20g	2 x 3,000e	9.2kg	CE, OIML
FOX-II-150K-MR	150kg	20g/50g	2 x 3,000e	9.2kg	CE, OIML
FOX-II-250K-MR	250kg	50g/100g	2 x 3,000e	9.2kg	CE, OIML

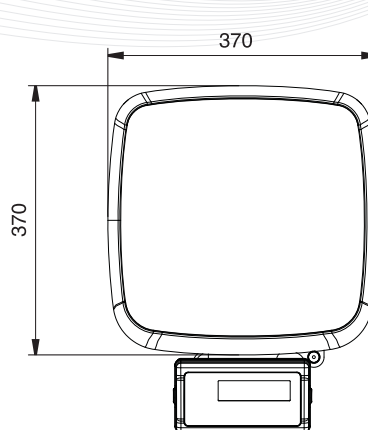
Options



Dimensions(mm)



(FOX-I)



(FOX-II)

