

PRW Weighing Scales

General Specifications

- Display 22mm digit LCD display, with white LED backlight
- Capacities 15kg~60kg
- Pan size 320 x 360mm
- Keyboard 6 keys (Mechanical switch)
- Housing ABS plastic indicator
- Max. Divisions 2 x 3,000e
- ADC Sigma delta
- ADC update $\leq 1/10$ second
- Operating Temp. $-10^{\circ}\text{C} \sim +40^{\circ}\text{C}$
- Power AC adapter (12V/500mA), Ni-MH battery (1.2V/2000mAh x 6)
- Gross weight 9kg



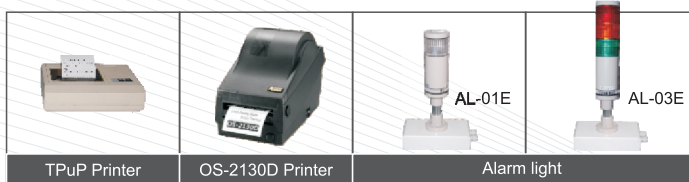
- Aluminum platform with stainless steel pan
- An economical general purpose instrument
- Applications: 1. Net/gross shift 2. Weighing unit conversion 3. Check weighing
- Battery provides up to 40 hours of continuous use (without backlight)
- Optional RS-232 to connect to computer
- Optional initial-verification



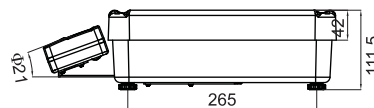
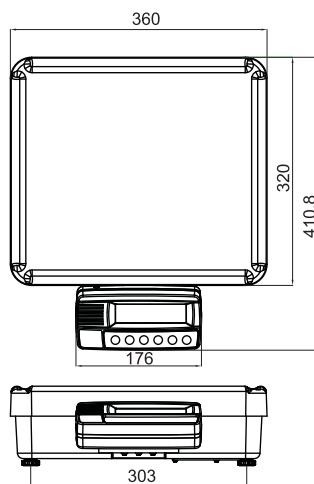
PRW Weighing Scales

Model Name	Capacity	Readability	Division	Approx. weight	Approval
PRW-15K	15kg	0.5g	30,000d	9kg	CE
PRW-30K	30kg	1g	30,000d	9kg	CE
PRW-60K	60kg	2g	30,000d	9kg	CE
PRW+-15K	15kg	0.2g	60,000d	9kg	CE
PRW+-30K	30kg	0.5g	60,000d	9kg	CE
PRW+-60K	60kg	1g	60,000d	9kg	CE
PRW-15K-M	15kg	2g	3,000e	9kg	CE, OIML
PRW-30K-M	30kg	10g	3,000e	9kg	CE, OIML
PRW-60K-M	60kg	20g	3,000e	9kg	CE, OIML
PRW-15K-MR	15kg	2/5g	2 x 3,000e	9kg	CE, OIML
PRW-30K-MR	30kg	5/10g	2 x 3,000e	9kg	CE, OIML
PRW-60K-MR	60kg	10/20g	2 x 3,000e	9kg	CE, OIML

Options



Dimensions(mm)



Print formats

NO.: 1
GS: 4.240KG

DATE: 2012/03/07
TIME: 19:06:37
NO.: 1
GS: 4.235KG

DATE: 2012/03/07
TIME: 19:08:26
NO.: 2
NT: 4.235KG
TW: 1.810KG
GW: 6.045KG

DATE: 2012/03/07
TIME: 19:10:54
TOTAL

NO.: 3
Total: 12.705KG

DATE: 2012/03/07
TIME: 19:09:03
NO.: 1
GS: 4.235KG
TOTAL: 4.235KG

DATE: 2012/03/07
TIME: 19:10:48
NO.: 3
NT: 4.235KG
TW: 1.810KG
GW: 6.045KG
TOTAL: 12.705KG