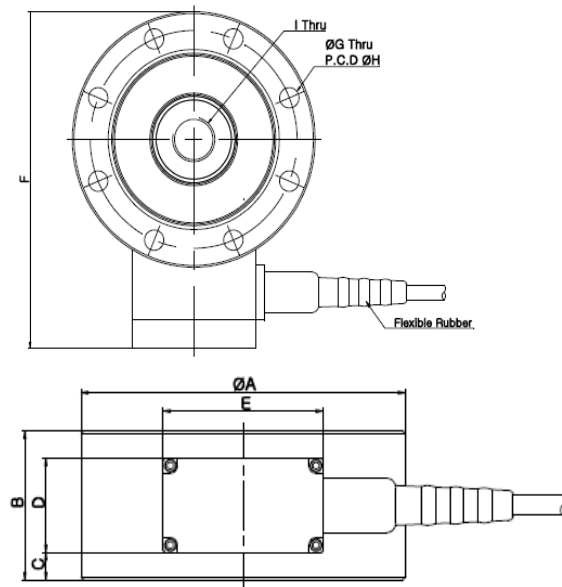


DIMENSIONS



FEATURES

- High resolution digital output
- Digital output via RS-485
- Easy installation and Effective maintenance
- The united structure between sensing and mounting part
- Internal diagnostics

Material

Paint finished steel



Model	Capacity	A	B	C	D	E	F	G	H	I
CLS-500L	500kgf	112	46	4	38	68	153.5	8 - Ø6.6	97.2	M16x2.0
CLS-1T	1tf									
CLS-2T	2tf									
CLS-3T	3tf	120	46	4	38	68	163.5	8 - Ø9	103.2	M18x1.5
CLS-5T	5tf									
CLS-10T	10tf	138	60	11	38	68	181.5	8 - Ø11	117.6	M24 x 2.0
CLS-15T	15tf									
CLS-20T	20tf	184	80	21	38	68	227.5	8 - Ø14	157.6	M39 x 2.0
CLS-30T	30tf									
CLS-50T	50tf	200	60	11	38	68	243.5	12 - Ø14.3	170	M45x3.0
CLS-100T	100tf	278	90	26	38	68	321.5	16 - Ø16.3	229	M70x3.0
CLS-200T	200tf	355	108	35	38	68	398.5	12 - Ø26	298	M90x3.0

SPECIFICATIONS

Rated Capacity		500L, 1,2,3,5,10,20,30,50,100,200T
Rated output	counts	200,000 ± 100
Zero balance	counts	± 1
Combined error	% R.O	0.02
Repeatability	% R.O	0.01
Creep for 30min	% R.O	0.01
Temperature Effect on		
Zero value	%/10°C	0.03
Output value	%/10°C	0.015
Excitation Voltage	V	12
Resistance		
Input	Ω	400 ± 20
Output	Ω	350 ± 3.5
Insulation	MΩ	> 2,000
Communication		RS-485 (2wire)
Max. Transmission cable	m	1,000

* Specifications are subject to change without notice