

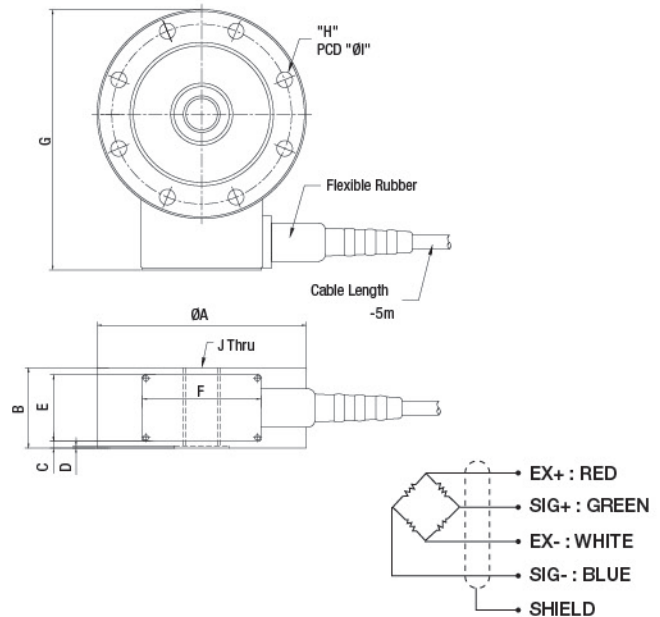
SLS Explosion proof version, Ex ia IIB-T4

Stainless steel pan cake load cell **1, 2, 3, 5, 10, 20, 30, 50, 100, 200 tf**

www.curiotec.com

FEATURES

Fully environmental protection, IP67



Material

Stainless steel

Cable

Braided shield 4-wire round cable with PVC-jacket

DIMENSIONS

Model	Capacity	A	B	C	D	E	F	G	H	I	J
SLS-1	1 tf	110	46	4	1	38	68	139.5	8- ϕ 6.6	97.2	M16x2.0
SLS-2	2 tf										
SLS-3	3 tf										
SLS-5	5 tf	120	46	4	1	38	68	149.5	8- ϕ 9	103.2	M18x1.5
SLS-10	10 tf	138	60	11	1	38	68	167.5	8- ϕ 11	117.6	M24x2.0
SLS-20/30	20/30 tf	184	80	21	1	38	68	213.5	8- ϕ 14	157.6	M39x2.0
SLS-50	50 tf	200	60	11	1	38	68	229.5	12- ϕ 14.3	170	M45x3.0
SLS-100	100 tf	278	90	26	1	38	68	307.5	16- ϕ 16.3	229	M70x3.0
SLS-200	200 tf	355	108	35	1	38	68	384.5	12- ϕ 26	298	M90x3.0

SPECIFICATIONS

Max. Capacity		tf	1, 2, 3, 5, 10, 20, 30,			50, 100, 200
Rated output		mV/V	2.0 \pm 0.005			
Zero balance		mV/V	0.0 \pm 0.02			
Accuracy class			A	B	C	
Combined error		%RO	0.02	0.05	0.1	
Repeatability		%RO	0.01	0.02	0.1	
Creep(30min.)		%RO	0.03	0.03	0.03	
Temperature effec on	Zero value	%RO/10°C	0.03	0.03	0.03	
	Output value	%RO/10°C	0.03	0.03	0.03	
Excitation	Recommended	V	10			
	Maximum	V	15			
Resistance	Input	Ω	350 \pm 3.5			
	Output	Ω	350 \pm 3.5			
	Insulation	M Ω	>2,000@50V DC			
Compensated temp. range		°C	-10 ~ +40			
Operating temp. range		°C	-20 ~ +80			