

FEATURES



- Robust design and easy installation
- Strong against shock or side force
- Surge protected
- Rotation protected
- Protection class IP68

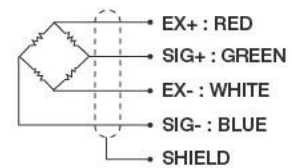
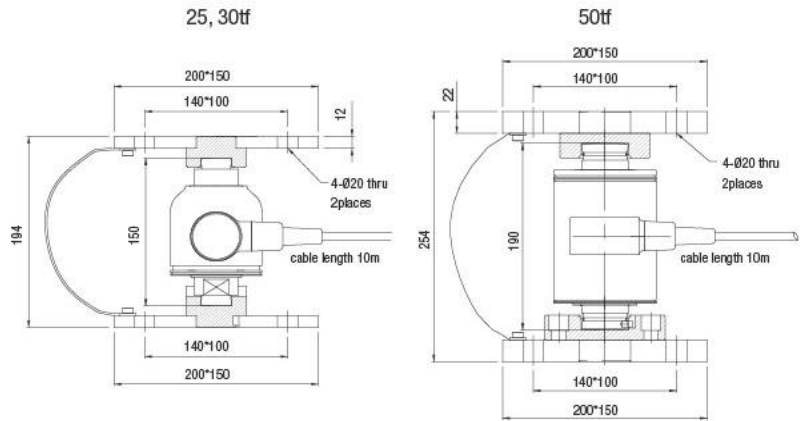
Material

Stainless steel

Cable

Braided shield 4-wire round cable with PVC-jacket

DIMENSIONS



SPECIFICATIONS

Max. Capacity		tf	25, 30, 50	
Rated output		mV/V	2.0 ± 0.005	
Zero balance		mV/V	0 ± 0.03	
Accuracy class			D3	C3
Combined error		%RO	0.03	0.02
Repeatability		%RO	0.02	0.01
Creep(30min.)		%RO	0.03	0.017
Temperature effec on				
	Zero value	%RO/10°C	0.03	0.014
	Output value	%RO/10°C	0.03	0.011
Excitation	Recommended	V	10	
	Maximum	V	15	
Resistance	Input	Ω	350 ± 3.5	
	Output	Ω	350 ± 3.5	
	Insulation	MΩ	>2,000@50V DC	
Compensated temp. range		°C	-10 ~ +40	
Operating temp. range		°C	-20 ~ +80	