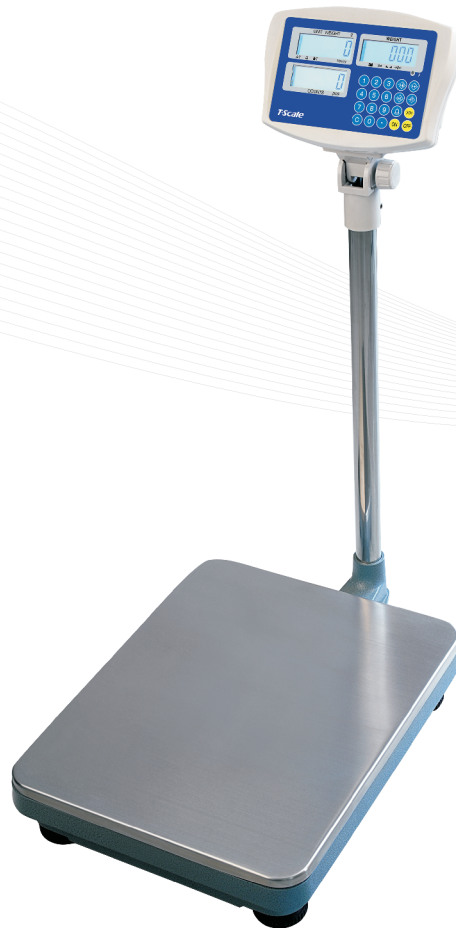


KC Counting Platform Scales

General Specifications

- Capacities 30kg~600kg
- Display 20mm digit LCD display, with white LED backlight
- Keyboard 7keys(Membrane keyboard)
- Housing ABS plastic indicator
- Max. Divisions 15,000d
- Load cell excitation voltage 5V/150mA
- ADC Sigma delta
- ADC update $\leq 1/10$ second
- Operate Temp $0^{\circ}\text{C} \sim +40^{\circ}\text{C}$
- Power AC adapter (12V/500mA), rechargeable battery (6V/4Ah)
- Gross weight 16.4kg(SK), 18.3kg(MKC)



- Application: 1 Parts counting 2 Counting alarm 3 Accumulation
- Mild steel and die-casting aluminum platform selectable
- Battery provide up to 70 hours of continuous use (without backlight)
- Optional RS-232 communication interface, connect PC or printer



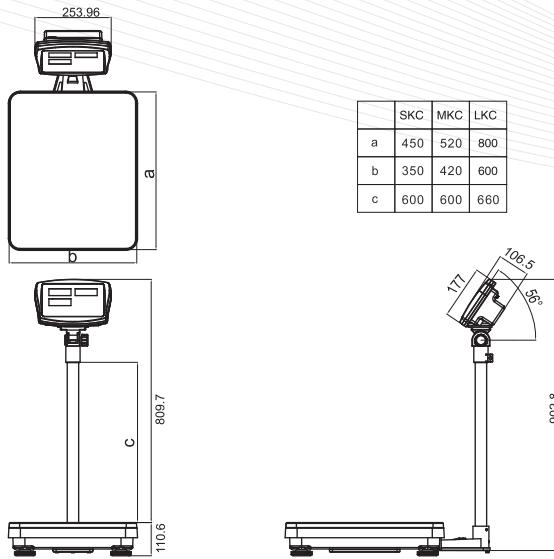
KC Counting Platform Scales

Model Name	Capacity	Readability	Division	Approx. weight	Approval
SKC-30K	30kg	2g	15,000d	16.4kg	CE
SKC-60K	60kg	5g	15,000d	16.4kg	CE
SKC-150K	150kg	10g	15,000d	16.4kg	CE
MKC-60K	60kg	5g	15,000d	18.3kg	CE
MKC-150K	150kg	10g	15,000d	18.3kg	CE
MKC-300K	300kg	20g	15,000d	18.3kg	CE

Options



Dimensions(mm)



	SKC	MKC	LKC
a	450	520	600
b	350	420	600
c	600	600	660