

QTP Price Computing Scales

General Specifications

- Display 20mm digit LCD display, with white LED backlight
- Capacities 3kg~30kg
- Pan size 230 x 300mm
- Keyboard 20keys (Membrane keyboard)
- Housing ABS plastic
- Max. Divisions 3,000e; 2 x 3,000e; 6,000d
- ADC update $\leq 1/10$ second
- Operate Temp $-10^{\circ}\text{C} \sim +40^{\circ}\text{C}$
- Power AC adapter (12V/500mA), built-in rechargeable battery (6V/4Ah)
- Gross weight 5.1kg



- Capacities form 3kg to 30kg
- Application: 1. Weighing units conversion 2. Accumulation 3. Change
- OIML approval from NMI (approval no.:T7305)
- Battery provide up to 70 hours of continuous use (without backlight)
- Standard stainless pan and dust cover
- Optional fruit pan
- Optional RS-232 can connect to computer or printer and ECR
- Optional initial-verification



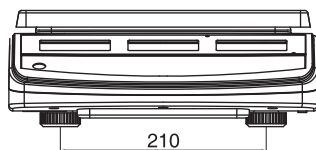
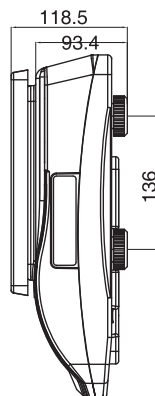
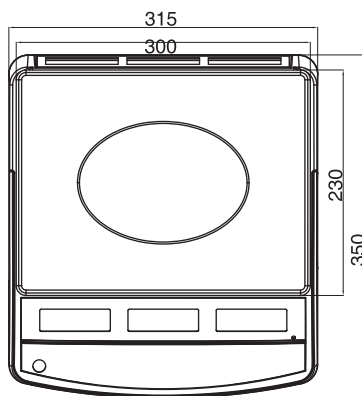
QTP Price Computing Scales

Model Name	Capacity	Readability	Division	Approx. weight	Approval
QTP-3K	3kg	0.5g	6,000d	5.1kg	CE
QTP-6K	6kg	1g	6,000d	5.1kg	CE
QTP-15K	15kg	2g	6,000d	5.1kg	CE
QTP-30K	30kg	5g	6,000d	5.1kg	CE
QTP-3K-M	3kg	1g	3,000e	5.1kg	CE, OIML
QTP-6K-M	6kg	2g	3,000e	5.1kg	CE, OIML
QTP-15K-M	15kg	5g	3,000e	5.1kg	CE, OIML
QTP-30K-M	30kg	10g	3,000e	5.1kg	CE, OIML
QTP-6K-MR	6kg	1g/2g	2x3,000e	5.1kg	CE, OIML
QTP-15K-MR	15kg	2g/5g	2x3,000e	5.1kg	CE, OIML
QTP-30K-MR	30kg	5g/10g	2x3,000e	5.1kg	CE, OIML

Options



Dimensions(mm)



Print formats

Net: 2.000KG
 Unit price
 EUR 5.00/KG
 Price:
 EUR 10.00
 Total:
 EUR 16.00