

CHBS

Bending beam load cell **20, 50, 100, 200, 500 kgf**

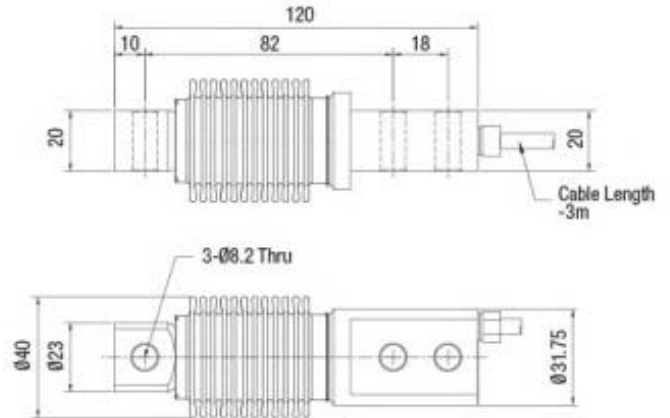
www.curiotec.com

FEATURES

All stainless steel construction
Protection class IP67

Material

Stainless Steel

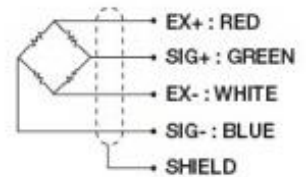


Mounting

Socket-head cap screw
M8 x 1,25(10.9)
Tightening torque : 29Nm

Cable

Braided shield 4-wire round cable
with PVC-jacket



SPECIFICATIONS

Max. Capacity		kgf	20, 50, 100, 200, 500
Rated output		mV/V	2.0 ± 0.005
Zero balance		mV/V	0 ± 0.2
Combined error		%RO	0.03
Repeatability		%RO	0.01
Creep(30min.)		%RO	0.03
Temperature effect on	Zero value	%RO/10°C	0.028
	Output value	%RO/10°C	0.015
Excitation	Recommended	V	10
	Maximum	V	15
Resistance	Input	Ω	400 ± 50
	Output	Ω	350 ± 3.5
	Insulation	MΩ	$>2,000@50V DC$
Compensated temp. range		°C	-10 ~ +40
Operating temp. range		°C	-20 ~ +70