

# Simple Weighing Indicator

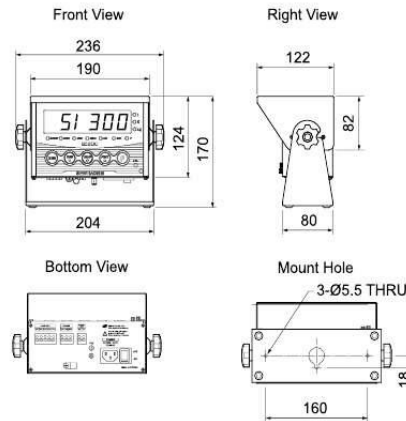
## SI 300



### Feature

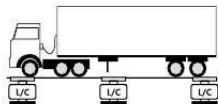
- Wall & Rail Mounting Type
- Hold Function : Sample, Average, Peak

### Physical Dimension [Unit:mm]

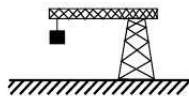


INDICATOR

ANALOG PART	Input Sensitivity	Min. 0.1 $\mu$ V / Digit
	Load Cell Excitation	DC +5V
	Non-Linearity	0.001% of Full Scale
	Input Signal	Max 3.0 mV/V
	A/D Method & Sampling	Max 60 times / sec, Sigma-Delta
DISPLAY PART	Resolution	Internal : 1/1,000,000 External: 1/20,000
	Main Display	7 Segment, 6 Digit Red FND, Letter Size : H = 25.4 mm (1 inch)
	Under Zero	Minus (-) Display
GENERAL PART	$\varnothing$ 2 Red LED Status Lamp	STEADY, ZERO, TARE, HOLD, TxD, RxD, F
	Power Supply	AC Free Voltage (AC95 ~ 240V, 50/60Hz)
	Operating Condition	Temperature : -10 $^{\circ}$ C ~ +40 $^{\circ}$ C , Humidity : Under 85% RH
	Size/Weight	190(W) x 124(H) x 122(D) / 2kg
	Communication	RS232C & Current Loop
	External Input	None
OPTION	None	



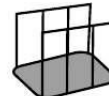
Truck Scale



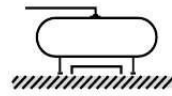
Crane Scale



Tester



Animal Scale



Tank Scale